

Spreading



KEE Technologies have released a world first in the control of super spreaders.

Zynx is a multi task controller which has been received with outstanding success in the agricultural market as a controller of sprayers and seeders. Not only is Zynx a controller, but it is also a sophisticated guidance system that gives the operator a visual on the go map, as well as a virtual road.

Whilst being utilized as a spreader controller, the operator is also able to navigate the field with accuracy, utilizing the DGPS guidance system.

With the controller receiving DGPS signal, an added feature of ASC (Automatic Section Control) is able to be utilized. By using the DGPS signal, the controller is automatically controlled in switching the application ON/OFF, thus reducing costly overlaps, and removing the need of the operator to be constantly on the switch.

This is a great cost saving feature and a driver fatigue reducer. Imagine driving into the field, turning on the spreader, and only switching it off as you leave the field!

Another feature of this value added controller is the capability of Variable Rate Control.

You are able to set the application rates according to specific regions within a field and the controller will automatically adjust to the preferred rate for the particular area.

The controller is able to be connected to a variety of existing makes of spreaders, and is capable of controlling a number of different hydraulic control valves. A standard combination of controlling one belt and one spinner, right up to dual belts and dual spinners, gives the Zynx controller unsurpassed capabilities.

Zynx is a full ruggedised Windows based computer that has been designed specifically for the agricultural market. This allows for further enhancements of the product, right up to downloading the days work back to a base computer network.

For those who do not require precise accuracy, Zynx is also available as a budget form of guidance, using standard GPS. This is an extremely cost effective way of navigating the field whilst still having a moving map and virtual road.

Spreading
ZYNX X15

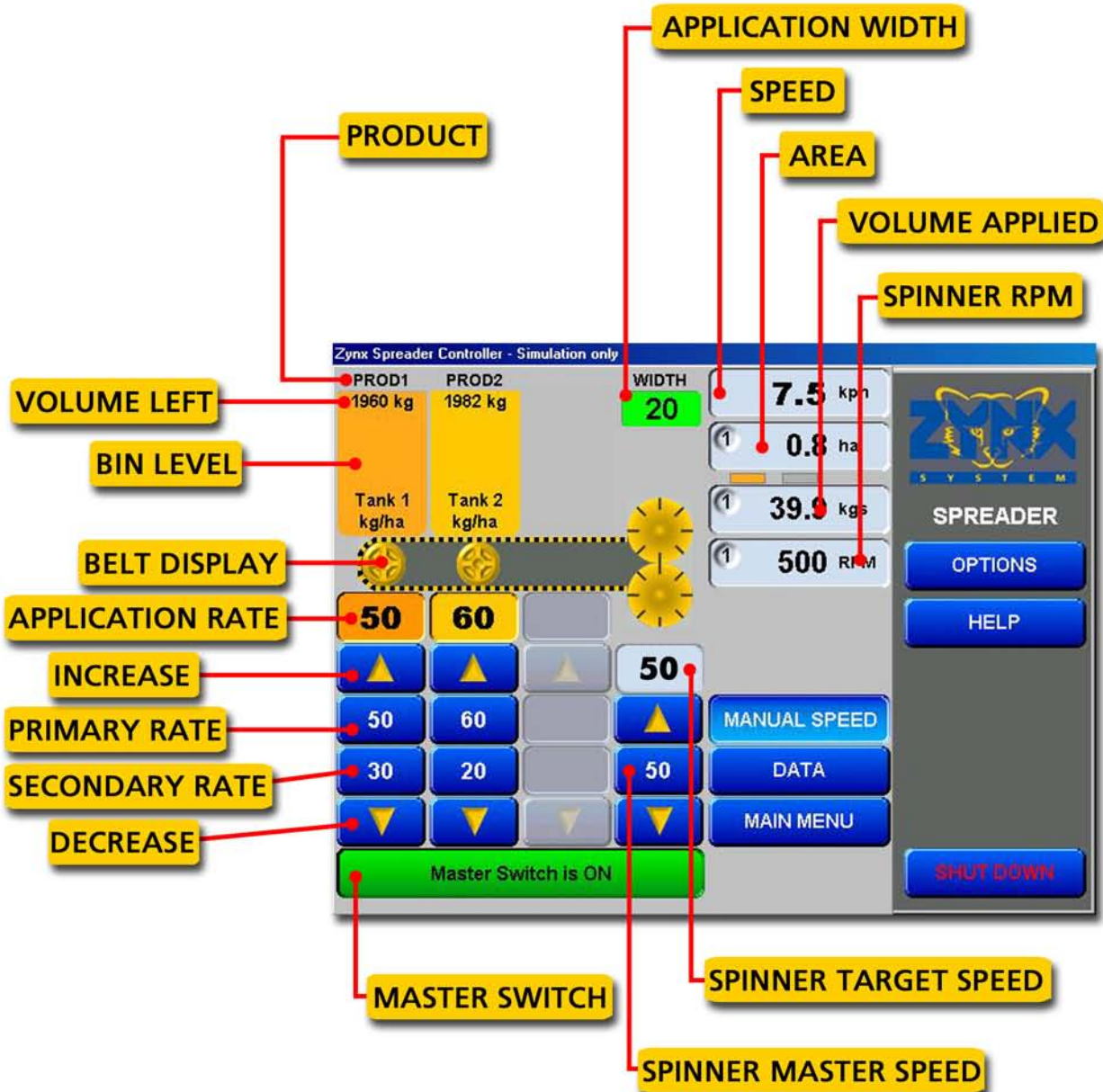
For more information
contact

14 Park Way
Mawson Lakes
South Australia 5095
Ph. 08 8203 3300
Fax 1300 307 205
www.kee.com.au

KEE
TECHNOLOGIES
POWERING FARM PRODUCTION

Spreading
Spreading

Spreading



- Integrated controller and guidance unit
- One console in cabin
- Compatible with common spreader controllers
- Easy to use
- Auto shutoff when used with guidance
- Calibrate by density or weight
- Voice alarms on all functions
- Auto steer and guidance compatible
- Multiple bin control
- Single or dual spinner control
- Variable rate capable